

## TS-256 SW56/ISDN ADAPTER



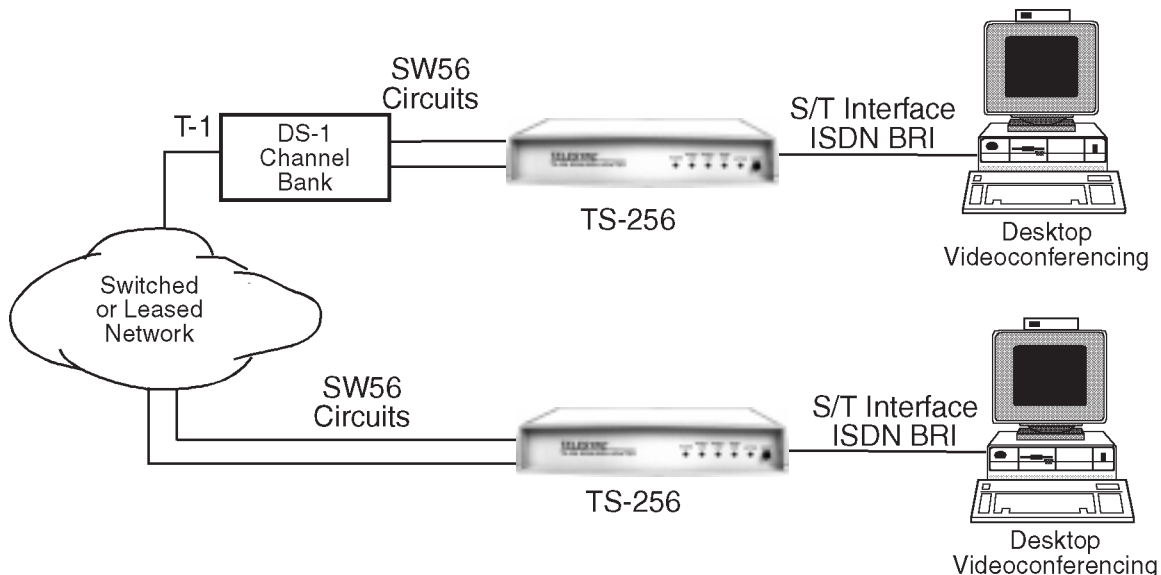
### FEATURES

- Enables ISDN-BRI personal desktop video systems to interface with SW56 service
- Compatible with Intel ProShare™ Personal Conferencing Video System, PictureTel PCS 50/100™, and Vivo 320™ Personal Videoconferencing
- Converts two SW56 (Type 1, Optional Type 3) lines to an ISDN Basic Rate S/T interface (2B+D)
- Terminates ISDN D-Channel and performs call origination on SW56 lines
- Call termination on SW56 lines and conversion to D-Channel call setup
- Allows T1 circuit user to implement ISDN personal videoconferencing

### Permits Desktop Videoconferencing in a Non-ISDN Environment

The TS-256 SW56/ISDN ADAPTER lets you implement many popular ISDN-based personal conferencing video systems even if ISDN service is not currently available in your area or is difficult to obtain. The TS-256 uses two SW56 lines (4-wire or optional 2-wire) and adapts the signals for ISDN BRI connection, permitting 2 x 56 kb/s videoconferencing. The TS-256 will operate with remote video systems using TS-256 (SW56) interface or video systems using ISDN in a 2 x 56 kb/s mode.

The TS-256's attractive, compact design allows it to blend into your office environment. Installation is easy. Simply plug in the AC power adapter, connect the two SW56 network lines at the rear panel and the ISDN line to the videoconferencing system. Configure the SPID in the videoconferencing software and the installation is complete.





TS-256 Rear Panel (Four Wire, Type 1)



TS-256-2 Rear Panel (Two Wire, Type 3)

## SPECIFICATIONS

**ISDN S/T Interface:** ISDN B channel rates limited to 56K when used with the TELESYNC TS-256. Compatible with Intel ProShare™ Personal Video Conferencing Systems, PictureTel PCS 50/100™, and Vivo 320™ Personal Videoconferencing. Supports videoconferencing but does not support audio-only calls.

**TS-256** Network interface is SW56 Type 1 (four wire) compatible. Network interface connectors are RJ-48S.

**TS-256-2** Network interface is SW56 Type 3 (Northern Telecom two wire) compatible. Network interface connectors are RJ-11.

**Surge protection** is provided on the SW56 interfaces

**RS-232C:** DS-9 female, 19,200 baud, 1 stop, 1 start, 8 data bits, and no parity for maintenance data, testing and firmware upgrades

ProShare, PCS 50/100, and Vivo 320 are trademarks of their respective companies.

TELESYNC reserves the right to update the product specifications without notice.

**Internal Flash Memory** permits the TS-256 to be field upgraded through the RS-232 interface

**Power Requirements:** 110Vac, 0.2 amps, wall power adapter

**Dimensions:** 1.8"H x 8.25"W x 9.0"D

**V.54 Loopback** Compatible Network Inputs

**Certification:** UL, CSA and FCC part 15

## ORDERING INFORMATION

### TS-256 SW56/ISDN ADAPTER

Type 1, 4 Wire SW56 Network Inputs and ISDN BRI S/T Terminal Output

### TS-256-2 SW56/ISDN ADAPTER

Type 3, 2 Wire SW56 Network Inputs and ISDN BRI S/T Terminal Output

Copyright TELESYNC, Inc., March, 1996.

**TELESYNC**

5555 OAKBROOK PARKWAY • SUITE 110 • NORCROSS, GA 30093  
PHONE: (770) 246-9662 • FAX (770) 246-9733